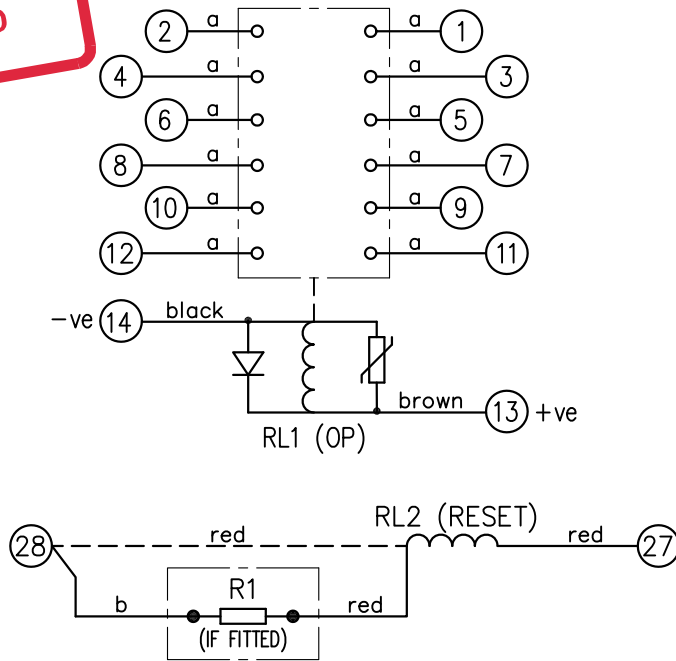


2112W50152

NOT SUBJECT TO UPDATE
ONCE COPIED / PRINTED
OR DOWNLOADED

LOOKING ON FRONT OF RELAY



NOTES:

1. RESET COILS ARE NOT CONTINUOUSLY RATED. IT IS RECOMMENDED THAT A N.O. CONTACT IS CONNECTED IN SERIES WITH THE RESET COIL
2. DASHED LINE --- SHOWS CONNECTIONS WHEN RESISTORS ARE NOT FITTED.

ASSEMBLY WIRES USED		
a	2107B10001	12 OFF
b	2107D10181	1 OFF

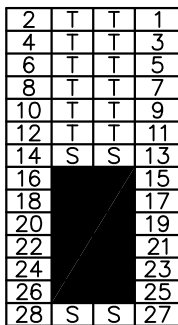
KEY	
	make contact
	break contact
	c/o contact
	ext. conn
	plug bridge - shorting
	metering point
	5Kv barrier
	test socket - shorting
	plug & socket

RL2 (RESET) KIT	SOLKIT:6V	SOLKIT:6V	SOLKIT:6V	SOLKIT:12V	SOLKIT:36V	SOLKIT:36V
RL1 (OP) COIL	2112G20019	2112G20020	2112G20022	2112G20023	2112G20026	2112G20029
R1	NIL	2102C15687	2102C25180	2102C15270	NIL	2102C15471
Volts dc	24	30	48	60	125	240
CONTACT CONFIG.	OUTPUT CONTACT PAIR / TERMINAL No.					
	1-3	2-4	5-7	6-8	9-11	10-12
6M	M	M	M	M	M	M
5M 1B	M	B	M	M	M	M
4M 2B	B	B	M	M	M	M
3M 3B	B	B	M	B	M	M
2M 4B	B	B	B	B	M	M
1M 5B	B	B	B	B	M	B
6B	B	B	B	B	B	B

FRAME REFERENCE: E2FAQM.

FRAME TERMINAL BLOCK ASSY: -

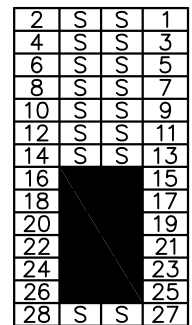
ASSEMBLY INSTRUCTIONS: -
TYPICAL ASSEMBLY DRAWING 2995G10032.
AT INDICATED POSITIONS FIT AS FOLLOWS:
T - FIT TRIP ISOLATION CONTACT 2995B10053
S - FIT STANDARD CONTACT 2995B10054
SECURE CONTACTS USING FIXING SCREW 2109F99009.
POSITIONS SHOWN BLANK ARE UNUSED



VIEW FROM NUMBERED SIDE OF BLOCK

OUTER TERMINAL BLOCK ASSY: -

ASSEMBLY INSTRUCTIONS: -
TYPICAL ASSEMBLY DRAWING 2995G10029.
AT INDICATED POSITIONS FIT AS FOLLOWS:
S - FIT STANDARD CONTACT 2995B10051
HC - FIT 'HEAVY CURRENT' KIT 2995G10030
WHERE IS SHOWN FIT CT SHORTING
KIT 2995G10031
POSITIONS SHOWN BLANK ARE UNUSED.
ALL POSITIONS FIT SCREW 2106F12506.



VIEW FROM INSIDE FACE

Copyright © 2002 VATECH REYROLLE ACP Ltd. Hebburn

3 RDW 31/05/11 MN112/3408			Title: T.B. & W.D. FOR AR1-3D/AR1-6D 6C RELAY IN EPSILON E2 CASE			First used on:		
2 RDW 10/06/09 MN112/3151			VATECH REYROLLE AUTOMATION, CONTROL & PROTECTION			Similar Articles:		
1 15/08/02						Supersedes:		
ISSUE	DATE	MOD.No.	Original Scale:			Drg.No. 2112W50152		
DRAWN: A.LAW.	CHECKED: A.LAW.	APPROVED: RD.WATSON				DATE: 1/9/02		